

6

5

4

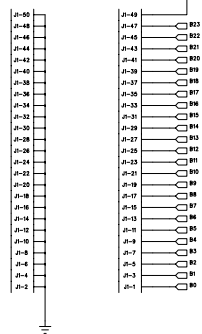
3

2

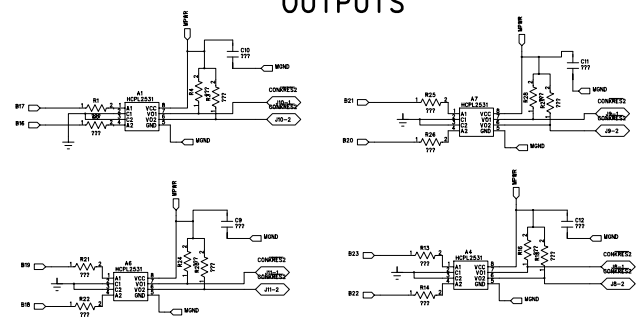
1

REVISION RECORD			
LTR	ECO NO.	APPROVED	DATE

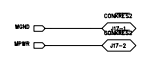
To Mesa 5120



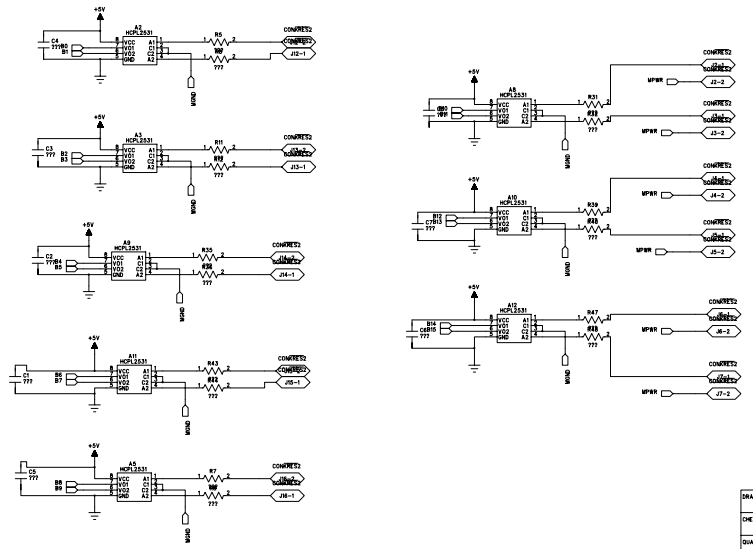
OUTPUTS



POWER



INPUTS



DRAWN:		DATED:		COMPANY:	
CHECKED:		DATED:		TITLE:	
QUALITY CONTROL:		DATED:		CODE:	SIZE:
RELEASED:		DATED:		DRAWING NO.:	REV.:
SCALE:				SHEET: OF	