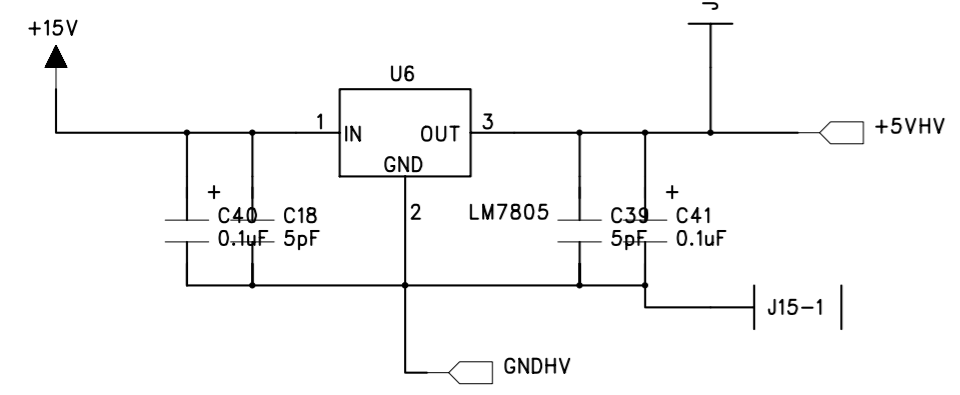
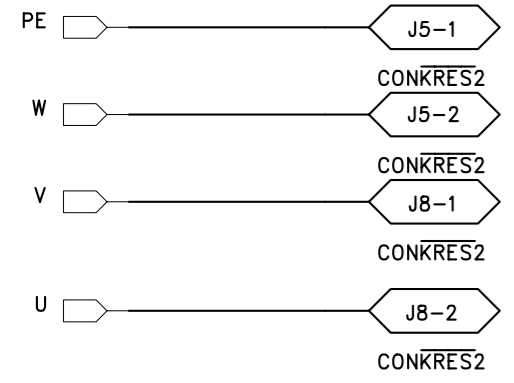


LTR	ECO NO:	APPROVED:	DATE:
-----	---------	-----------	-------

Motor



Power

