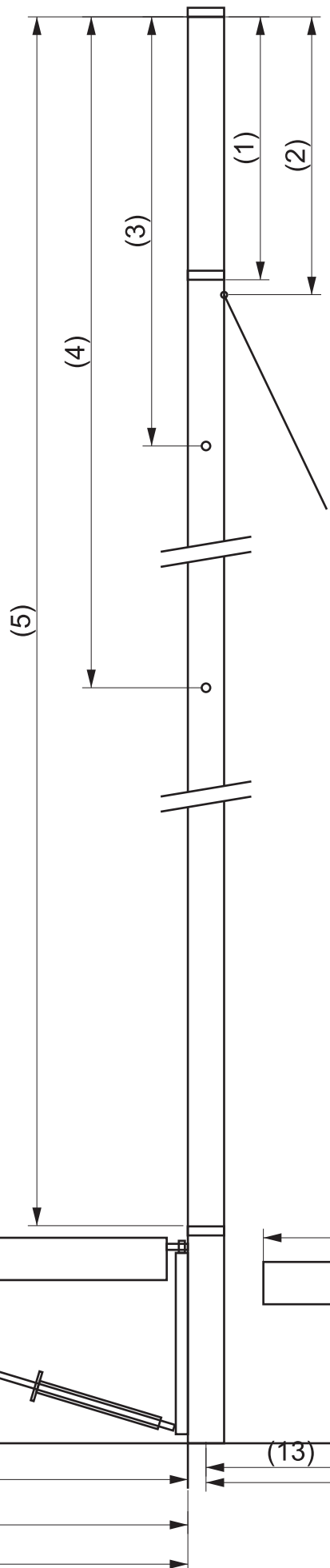


"IOM rig strategic measurements"
 not to scale
 original 2002Mar03
 english version 2003Feb01

send comments/suggestions to:
 anders.wallin@helsinki.fi



Skipper	"Bantock"			"Smith"			"Roberts"		
IOM-Rig	1	2	3	1	2	3	1	2	3
Mast material	11,1R	11,1G	11,1G	12,7G	12,7G	12,7G	11,1R	11,1R	11,1R
(1) middle measurement band	222	162	122	221	161	121	222	162	122
(2) jibstay attachment point	232	172	132	225	165	125	227	167	127
(3) shroud attachment point	400	295	220	501	467	347	245	185	145
(4) spreader attachment point	1040	780	590	1047	n/a	n/a	950	780	n/a
(5) bottom measurement band	1599	1179	879	1599	1179	879	1598	1178	878
(6) jib pivot point	88	79	69	72	58	30	90	80	65
(7) jib sheeting point	303	294	284	362	352	302	315	305	290
(8) boom length	388	350	302	385	355	305	385	345	295
(9) kickins strap attachment point	180	180	180	120	120	120	170	170	170
(10) main sheeting point	195	195	195	240	235	230	200	200	200
(11) boom length	355	340	310	365	355	325	350	340	310
(12) jib pivot point in deck	319	289	251	336	314	289	311	288	252
(13) jib sheeting point in deck	93	64	26	32	32	32	81	58	26

From these measurements the following numbers can be calculated

A. jib sheeting arm	215	215	215	290	294	272	225	225	225
B. sheeting arm ratio jib/main %	91%	91%	91%	83%	80%	85%	89%	89%	89%
C. shroud attachment height in % of (5)	75%	75%	75%	69%	60%	61%	85%	84%	83%
D. spreader height in % of (5)-(3)	47%	45%	44%	50%	n/a	n/a	48%	40%	n/a
E. jib pivot point in % of (8)	23%	23%	23%	19%	16%	10%	23%	23%	22%

Measurements that will not vary much from one rigset to another or measurements that I think don't have a big effect on performance are coloured light grey.

Mast materials: G=groovy, R=round

Note: in C. and D. the heights are from deck level.

Sources:

"Bantock": ISAF-IOM Rigging plan, 1999 version, available from SAILSetc

"Smith": Rigging Guide, 2001, supplied with TS-2 yacht.

"Roberts": Rigging plan, 1999, supplied with Gadget yacht

I have used "quotation" marks around the names extensively because these are just the numbers from the sources available, not necessarily what the past champions used for winning the championships and not necessarily what they are using now. Use this diagram at your own risk !

